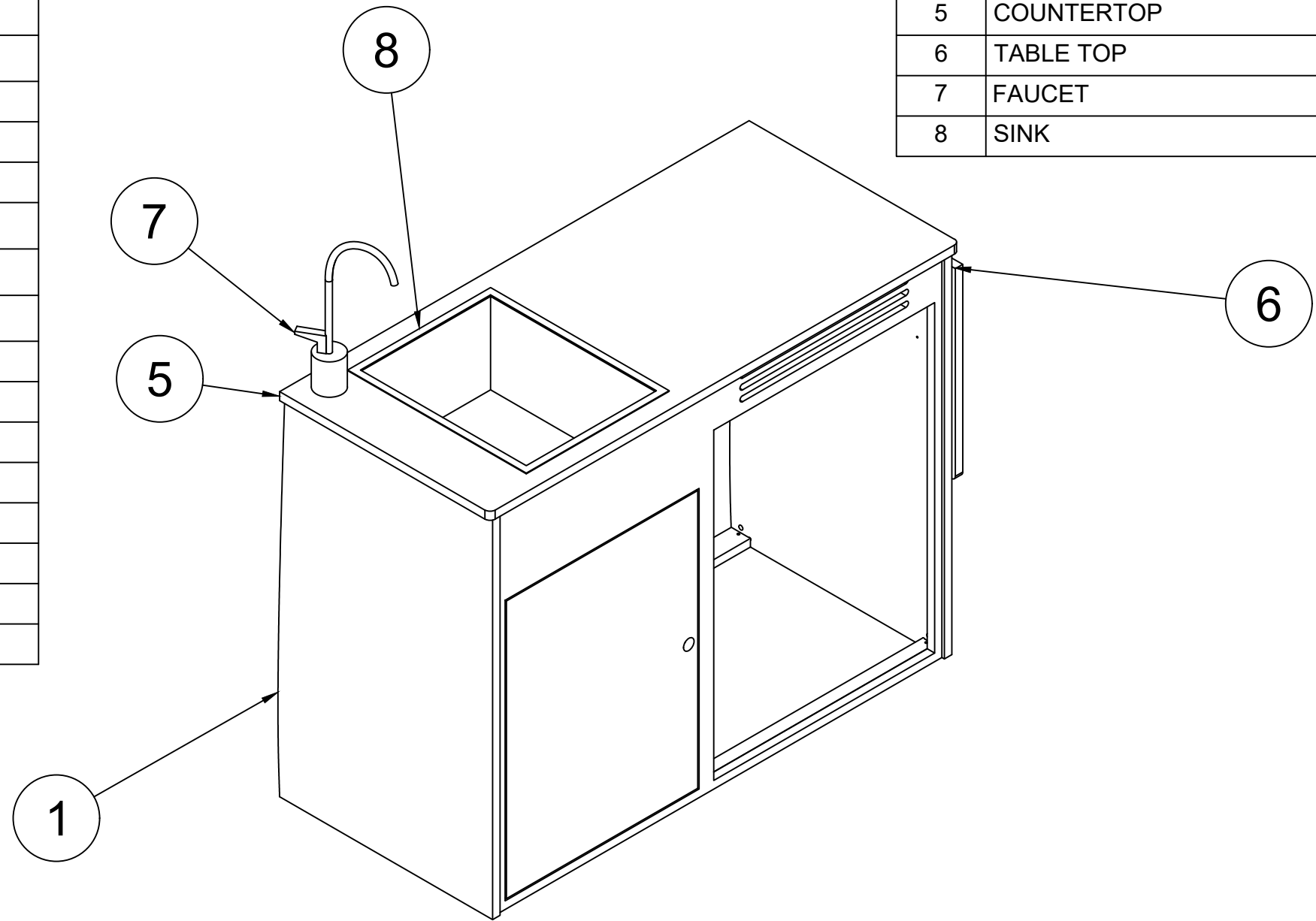
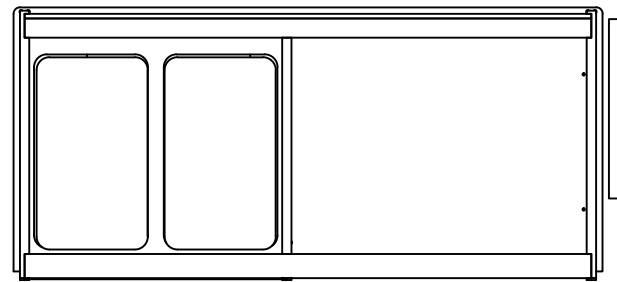
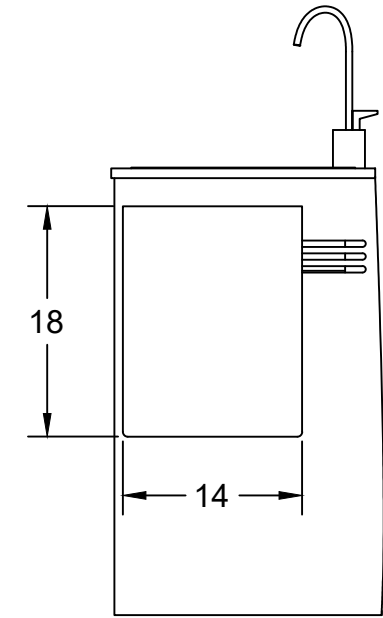
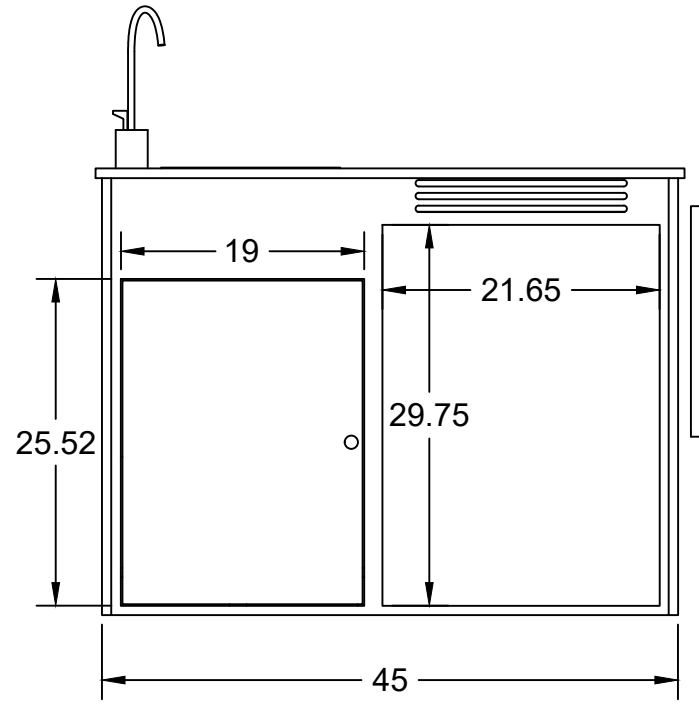
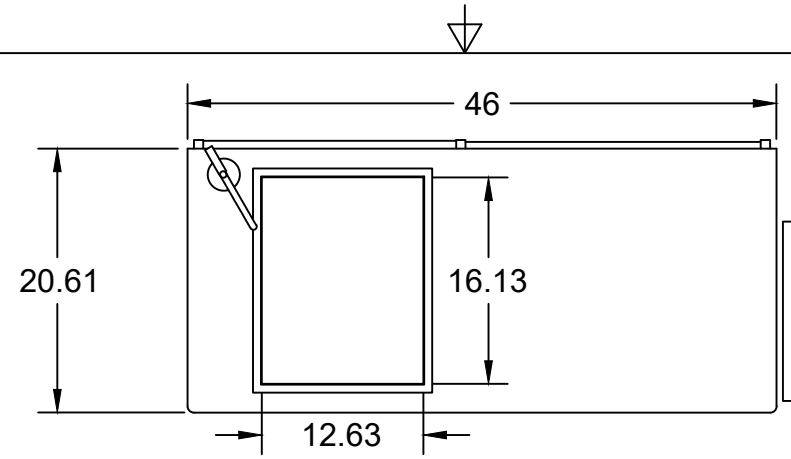
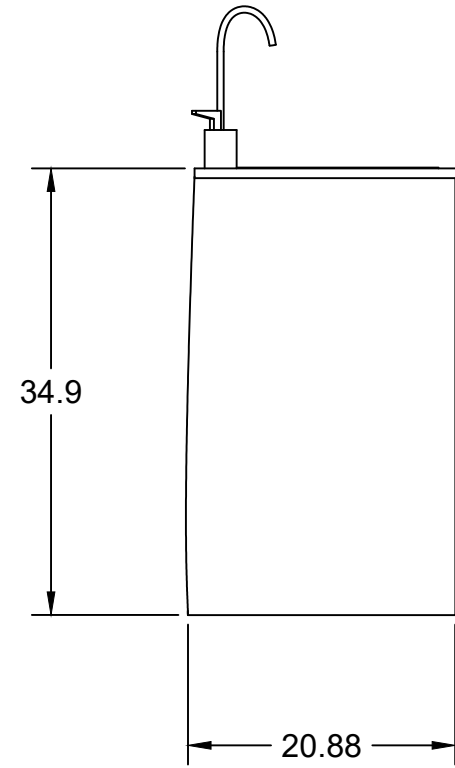


HARDWARE LIST	
ITEM	QNTY
SINK STRAINER	1
SINK BARB ADAPTER	1
SINK PLASTIC BUSHING	1
$\frac{3}{4}$ " ID SINK DRAIN TUBE 11"	1
1" HOSE CLAMP	2
DRAIN QUICK DISCONNECT	1
WATER PUMP	1
$\frac{3}{8}$ " ID TUBING 19"	1
$\frac{3}{8}$ " ID TUBING 14.5"	1
$\frac{1}{2}$ " HOSE CLAMP	4
FRESH WATER CAP W/ FITTINGS	1
GREY WATER CAP W/ FITTINGS	1
DOOR HINGE	2
DOOR LATCH	1
DOOR STOP	1
CABINET FASTENER	30
TRUSS HEAD SCREWS	10
FLAT HEAD SCREWS	6

PARTS LIST		
ITEM	PART NAME	QTY
1	GALLY CABINET	1
4	GALLEY 6 GAL TANK # 13861 V1	2
5	COUNTERTOP	1
6	TABLE TOP	1
7	FAUCET	1
8	SINK	1



	PROJECT	DIY Kits
	TITLE	Sprinter DIY Kitchen
DRAWN	Matt North	5/3/2020
SCALE	1:8	



PROJECT

**DIY Kits**

TITLE

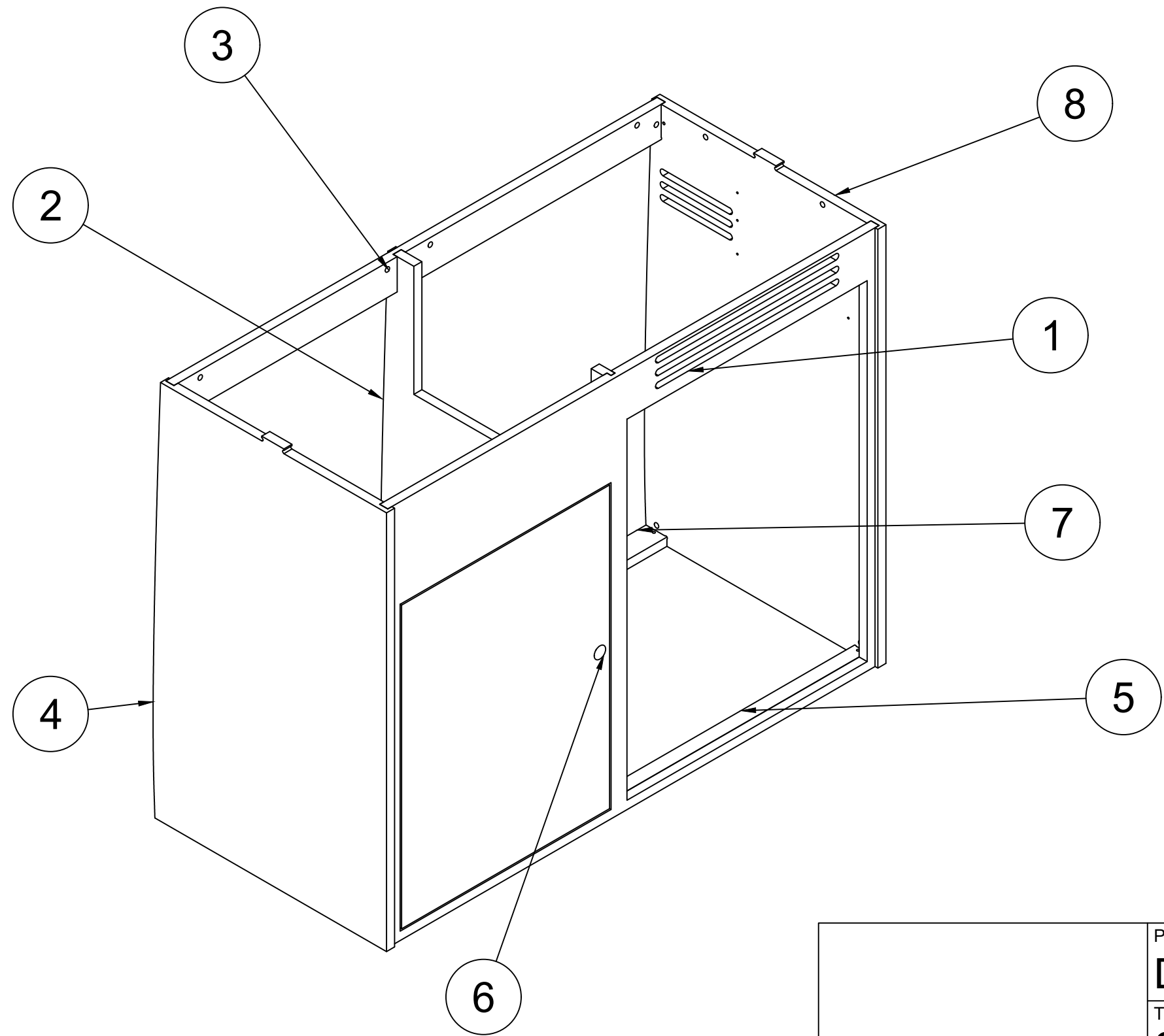
**Sprinter DIY Kitchen**

DRAWN

Matt North

5/3/2020

SCALE 1:20



PARTS LIST		
ITEM	PART NAME	QTY
1	FACE PLATE	1
2	CENTER LEG	1
3	TOP SUPPORT PLATE	1
4	LEFT LEG	1
5	BOTTOM FRONT SUPPORT	1
6	DOOR FACE	1
7	BOTTOM REAR SUPPORT	1
8	RIGHT LEG	1
9	WATER TANK HOLDER	1

	PROJECT	DIY Kits
	TITLE	Sprinter DIY Kitchen
DRAWN	Matt North	5/3/2020
SCALE 1:8		